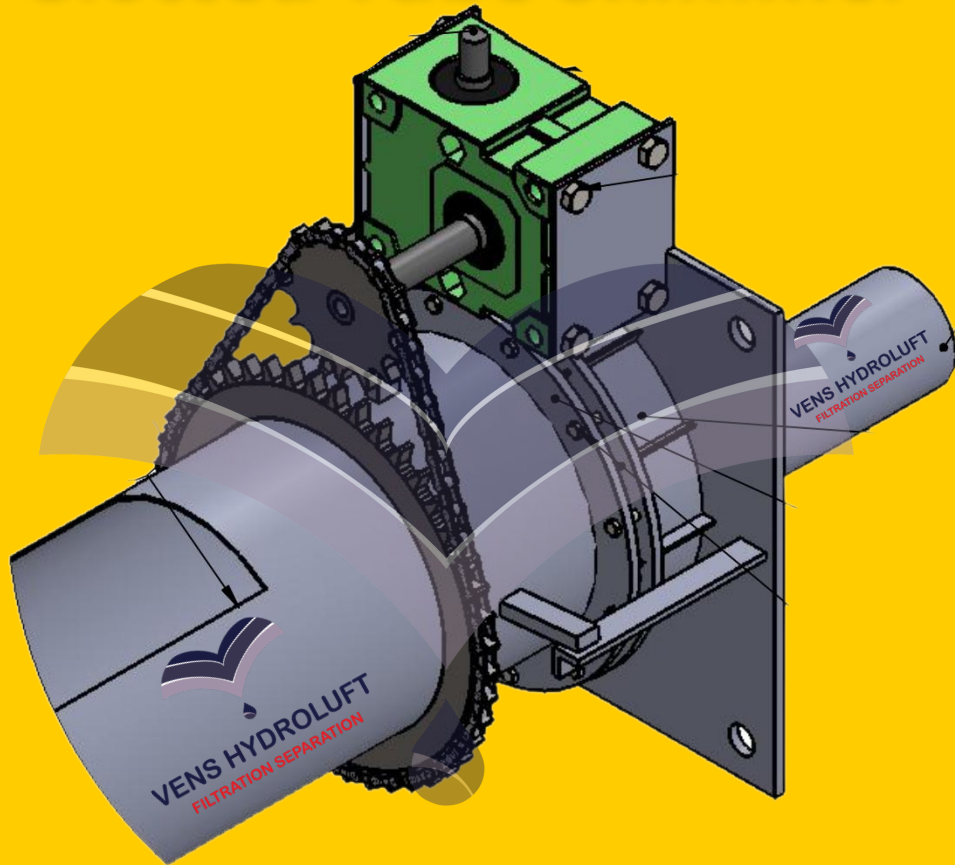


Slotted Tube Skimmer



VENS HYDROLUFT
FILTRATION SEPARATION



Material of Construction

MOC of slotted tube : SS 304/MS/FRP/PVC

Tube Diameter : 200 NB

Slotted Angle : 60 deg

**Rotary Mechanism : Motorized Linkage /
Motorized valve / Manual Handle**