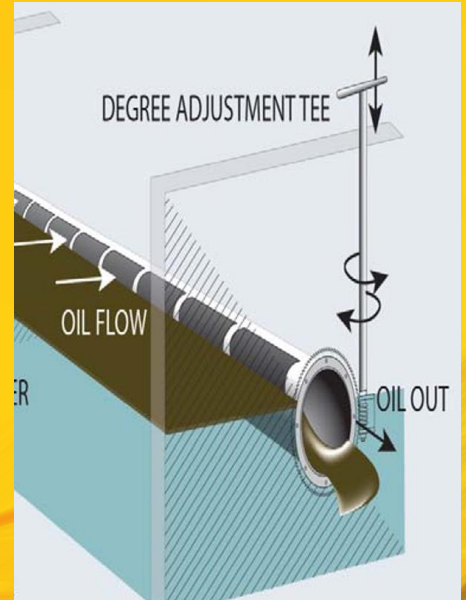
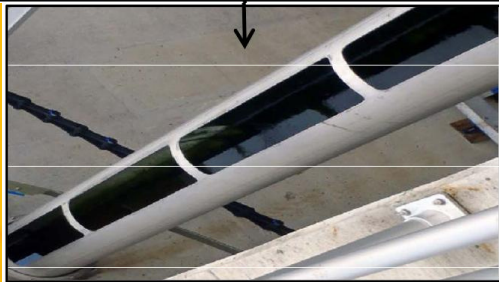




VENS HYDROLUFT
FILTRATION SEPARATION

SLOTTED TUBE SKIMMERS

VH STS Datasheet

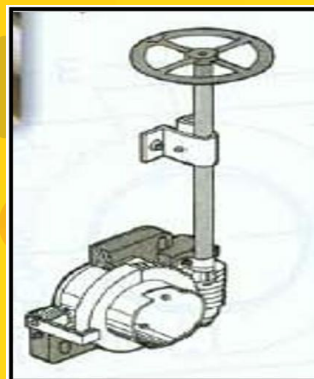


STS Skimmers from Vens Hydroluft are able to handle large volumes of floating scum—which primarily consists of oil, lubricants, fats - which are often not easily handled by other skimmers. Suited for medium size tanks, where oil is scattered and removal mechanism with a large contact area is required. Ideally suited for low to medium viscosity of oil including scum.

Consist of a Rotary Slotted tube mounted on top of tank. Floating scum gets collected into the slotted tube and is discharged to drain. Slotted Tube consists of 60 degree slot with reinforced gaps and rotates—as often as required- through a manual handle or a motorised arrangement. The tube is supported on one side to a closed flange and other side to an open flange from where the scum is discharged.



**MOTORIZED
CHAIN DRIVE**



MANUAL HANDLE



MOTORIZED VALVE





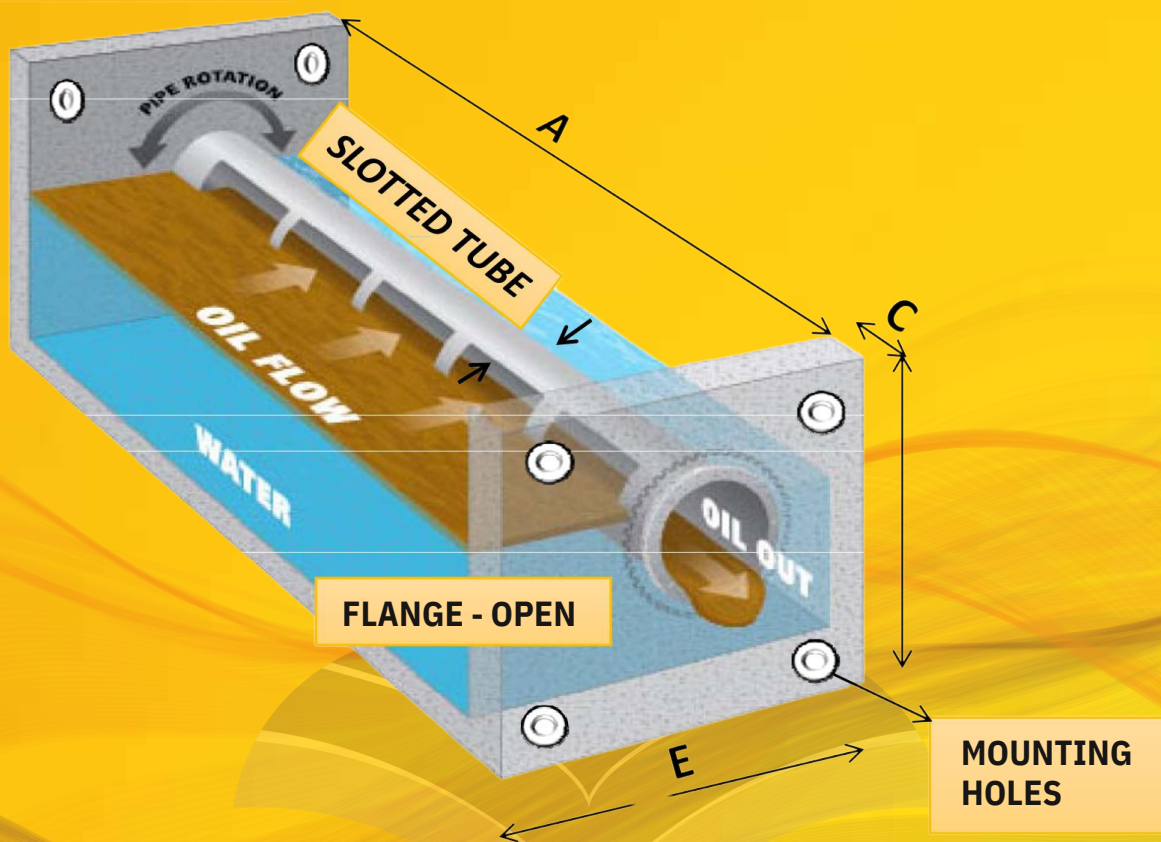
SLOTTED TUBE SKIMMERS

VH STS Datasheet



VENS HYDROLUFT
FILTRATION SEPARATION

FLANGE - CLOSED



Material of Construction

MOC of slotted tube	SS 304/MS/FRP/PVC
Tube Diameter	200 NB
Slotted Angle	60 degrees
Rotary Mechanism	Motorized Linkage / Motorized valve / Manual Handle





VENS HYDROLUFT
FILTRATION SEPARATION

SLOTTED TUBE SKIMMERS VH STS Datasheet



Made in
India

Magnetic
separators

Belt
Oil Skimmers

Tube
Oil Skimmers

Wika
PressureGauge

Disk
Oil Skimmers

Mini Vacuum
Systems

Floating
Funnel
Skimmers

Oil
Spill Response
Equipment

Floating
Drum Skimmers

Chain
Oil Skimmers

Floating
Disk Skimmers

Filter
Elements

Slotted Tube
Oil Skimmers

Simplex &
Duplex housing filters

Coalescer
Oil Water Separators

Grooved
Disk type Skimmers

Truck Mounted
Vacuum Systems

Mini
Oil Skimmers

Compact
Oil Skimmers



Buy
Slotted tube Skimmer Here

